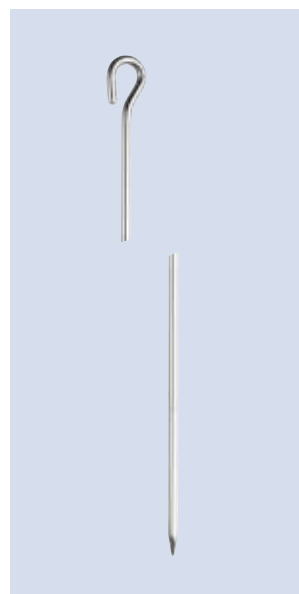




Art. 161
Gruppo di 6 spiedini inox con decoro animali color oro, da mm.
Set of 6 stainless steel skewer with golden animal decorations, size in mm.
300 x 3



Art. 122
Spiedino inox con anello, da mm.
Stainless steel skewer, with ring, sizes in mm.
100 x 3
150 x 3
150 x 4
200 x 3
200 x 4
250 x 3
250 x 4
300 x 3
300 x 4
350 x 4



Art. 138
Ceppo inox 18/8 con piano polietilene da mm. 100 e piedini antiscivolevoli, da mm.
18/8 stainless steel chopping block with polyethylene top mm. 100 and stainless steel non-slip feet, sizes in mm.
400 x 400 x H 900
500 x 500 x H 900
600 x 600 x H 900



Art. 78
Pungisalame in nylon per alimenti con spilli inox 18/8, completo di protezione (colori personalizzabili a richiesta quantità minima 2.000 pz.)
Nylon salami pricker for food with 18/8 stainless steel needles, with protective cover (personal colors on request minimum quantity 2.000 pcs)



Art. 78/A
Taglianervi professionale in polipropilene per alimenti con lame taglienti inox 18/8, completo di protezione, da mm. (colori personalizzabili a richiesta quantità minima 2.000 pz.)
Professional nerve cutter in polipropilene for food with 18/8 stainless steel cutting blades, with protective cover, size in mm. (personal colors on request minimum quantity 2.000 pcs)
150 x 100



Art. 78/B
Taglianervi in nylon per alimenti con lame taglienti inox 18/8, completo di protezione (colori personalizzabili a richiesta quantità minima 2.000 pz.)
Nerve cutter in nylon for food with 18/8 stainless steel cutting blades, with protective cover (personal colors on request minimum quantity 2.000 pcs)



Art. 136
Tavolo da lavoro inox 18/8 con piano polietilene da mm. 20 e piedini antiscivolevoli, da mm.
18/8 stainless steel work table with polyethylene top mm. 20 and stainless steel non-slip feet, sizes in mm.
1200 x 700 x H 800 1500 x 700 x H 800 2000 x 900 x H 800



Art. 160
Seghetto modello Lonatini in acciaio inox 18/8 a fissaggio rapido da mm.:
18/8 stainless steel saw quick-fit, sizes in mm.:
300 - 350 - 400 - 450 - 500 - 550 - 600



Art. 160/A
Lama modello Lonatini per seghetto a fissaggio rapido e a vite da mm.:
Narrow blade Lonatini model for quick-fit and screw saw, sizes in mm.:
300 - 350 - 400 - 450 - 500 - 550 - 600



Art. 128/A

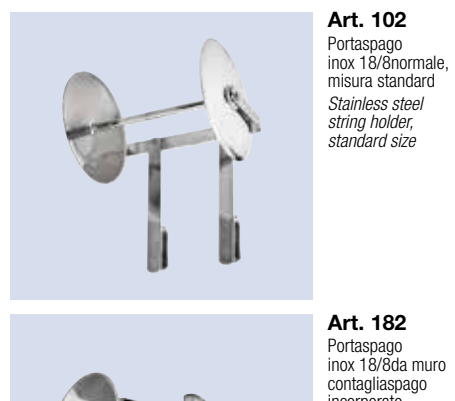
Art. 128/A
Campana inox con molla
Stainless steel scraper bell with spring



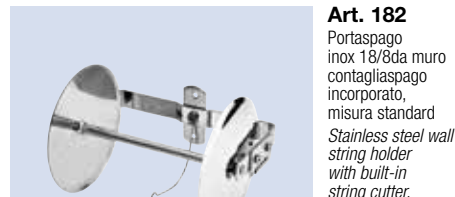
Art. 128/B

Art. 128/B
Campana inox senza molla
Stainless steel scraper bell without spring

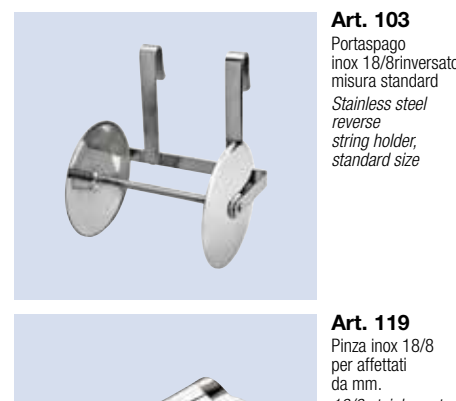
Art. 128/C
Campana inox ovale senza molla
Stainless steel oval scraper bell without spring



Art. 102
Portaspago inox 18/8normale, misura standard
Stainless steel string holder, standard size



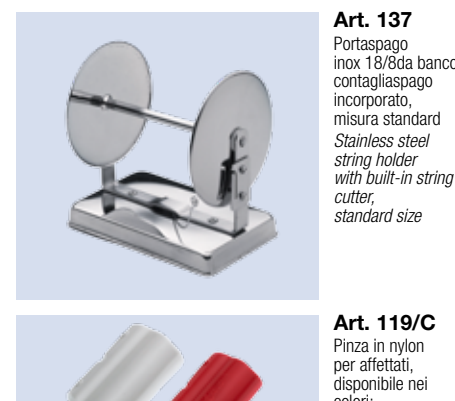
Art. 182
Portaspago inox 18/8da muro contagiaspago incorporato, misura standard
Stainless steel wall string holder with built-in string cutter, standard size



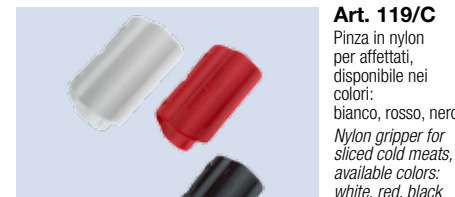
Art. 103
Portaspago inox 18/8inversato, misura standard
Stainless steel reverse string holder, standard size



Art. 119
Pinza inox 18/8 per affettati da mm.
18/8 stainless steel gripper for sliced cold meats, size in mm.
105 x55



Art. 137
Portaspago inox 18/8da banco contagiaspago incorporato, misura standard
Stainless steel string holder with built-in string cutter, standard size



Art. 119/C
Pinza in nylon per affettati, disponibile nei colori:
bianco, rosso, nero
Nylon gripper for sliced cold meats, available colors: white, red, black



Art. 98/1
Batticarne monoblocco forgiato, in acciaio inox Aisi 430, da mm.
Forged meat pounder made of solid Aisi 430 stainless steel weight:
gr. 800
kg. 1
kg. 1,500
kg. 1,750
kg. 2
kg. 2,500



Art. 148
Gancio inox ad uncino con manico in plastica, da mm.
Stainless steel hook with plastic grip, size in mm.
165 x 7



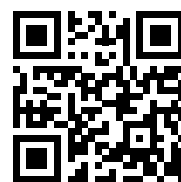
Art. 148/A
Gancio inox ad uncino con manico in alluminio, da mm.
Stainless steel hook with aluminium grip, size in mm.
165 x 7



Art. 98/A
Batticarne inox a paletta tonda con manico piegato, da mm.
Stainless steel meat pounder with round shovel and curved handle, weight gr.500 kg.1



Art. 98/B
Batticarne inox a paletta quadra con manico piegato, da mm.
Stainless steel meat pounder with square shovel and curved handle, weight kg.1



FRATELLI LONATINI
di Lonatini Giordano & C. s.n.c.

Via Caduti, 34 - 25065 LUMEZZANE FONTANA (BS) - Italia
Tel. 030 8970751 - Fax 030 8970757
www.lonatini.com - lonatini@lonatini.com - pec: lonatini@legalmail.it
Codice Fiscale 00322170176 - Partita IVA 00555170984



GANCI - VASSOI - CONTENITORI SEGHETTI - BATTICARNE INOX FORGIATI





Art. 50
Gancio inox normale
1 punta, da mm.
*Stainless steel
standard
hook 1 point,
sizes in mm.*
60 x 3
80 x 3
80 x 4
100 x 4
120 x 5
140 x 5
140 x 6
160 x 6
180 x 6
180 x 7
180 x 8
200 x 9
220 x 10
250 x 12
300 x 12
400 x 12
500 x 12
750 x 12
1000 x 12



Art. 54
Allonges inox 18/8
girevole da ambo le
parti, da mm.
*Stainless steel
swivel hook on both
sides, sizes in mm.*
210 x 9
240 x 10
270 x 12
300 x 12
500 x 12



Art. 117
Gancio inox 18/8
con 3 anelli
tranciati,
da mm.
*18/8 stainless steel
allonges with 3
molded rings, size
in mm.*
170 x 6



Art. 104/A
Gancio inox girevole
e snodato
per furgoni
frigoriferi,
con rondella in
nylon, da mm.
*Stainless steel
swivel and
articulated hook,
for refrigerator van
with nylon washer,
size in mm.*
200 x 12



Art. 129
Gancio inox girevole
ad ancora, da mm.
*Stainless steel
swivel anchor type,
sizes in mm.*
210 x 9
240 x 10
270 x 12
300 x 12 mod. Export



Art. 79
Gancio inox a fungo,
da mm.
*Stainless steel
mushroom-shaped
hook, sizes in mm.*
140 x 12
160 x 12
160 x 14
160 x 15
180 x 18
200 x 18



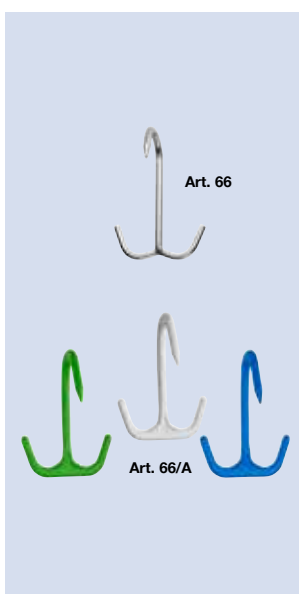
Art. 101
Contentitore inox 18/8 con griglia da mm.:
18/8 stainless steel container with grille, sizes in mm.
260 x 230 x 55 260 x 230 x 70 320 x 230 x 55
320 x 230 x 70 350 x 240 x 55 350 x 240 x 70
410 x 310 x 55 410 x 310 x 70 500 x 350 x 55
500 x 350 x 70 610 x 410 x 55* 610 x 410 x 70*
* per Art. 145



Art. 101/A
Contentitore inox 18/8 senza griglia da mm.:
18/8 stainless steel container without grille, sizes in mm.
260 x 230 x 55 260 x 230 x 70 320 x 230 x 55
320 x 230 x 70 350 x 240 x 55 350 x 240 x 70
410 x 310 x 55 410 x 310 x 70 500 x 350 x 55
500 x 350 x 70 610 x 410 x 55* 610 x 410 x 70*
* per Art. 145

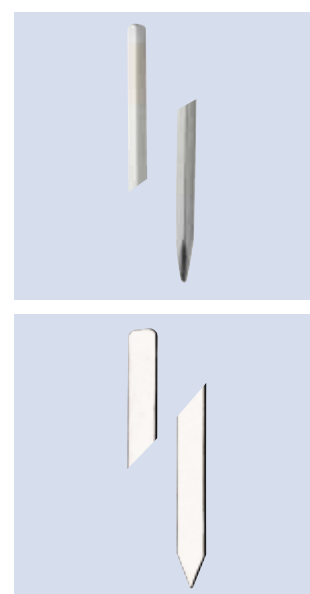


Art. 140
Vassoio inox 18/8 spigolato per banchi frigo da mm.:
*18/8 stainless steel tray with sharp corners for cold counters,
sizes in mm.*
290 x 210 x 20 290 x 300 x 20 400 x 300 x 20
480 x 210 x 20 580 x 210 x 20 580 x 400 x 20
680 x 210 x 20 680 x 300 x 20 730 x 250 x 20
800 x 300 x 20



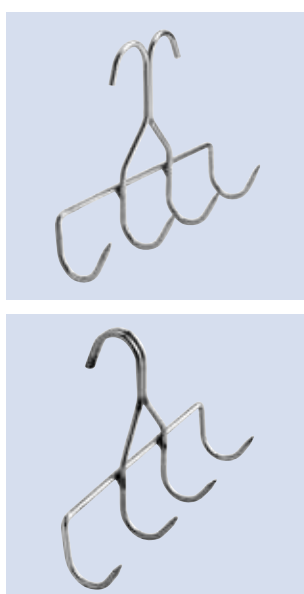
Art. 66
Gancio inox ad
ancora con saldatura
ad elettrodo,
1 punta, da mm.
*Stainless steel
anchor hook,
with electrode
welding, 1 point,
size in mm.*
130 x 7

Art. 66/A
Gancio ad ancora
in nylon per alimenti,
1 punta, colori
disponibili: verde,
bianco, azzurro,
da mm.
*Nylon anchor hook
for food, 1 point,
available colors:
green, white, light
blue, size in mm.*
130 x 7



Art. 122/A
Spiedino inox
18/8 quadro,
da mm.
*18/8 stainless steel
square skewer,
sizes in mm.*
5 x 5 x 500
5 x 5 x 600

Art. 122/B
Spiedino inox
18/8 piatto,
da mm.
*18/8 stainless steel
plate skewer,
sizes in mm.*
2 x 14 x 500
2 x 14 x 600



Art. 63
Gancio inox appendi
pancetta a 4 prese,
da mm.
*Stainless steel
bacon hanger with 4
hooks, sizes in mm.*
180 x 6
240 x 6

Art. 69
Gancio inox appendi
pancetta riversato
a 4 prese, da mm.
*Stainless steel
reverse bacon
hanger with 4
hooks, sizes in mm.*
180 x 6
240 x 6



Art. 174
Pianetta in filo inox 18/8, completa di ruote girevoli in nylon Ø 100 con supporto inox 18/8 da mm.:
18/8 stainless steel shelf wire, complete with swivel castors of nylon Ø 100 with 18/8 stainless steel support, size in mm.
600 x 400



Art. 175
Pianetta in nylon grigliata completa di ruote girevoli in nylon Ø 100 con supporto zincato da mm.:
Nylon shelf with grid, complete with swivel castors of nylon Ø 100 with galvanized support, size in mm.
600 x 400



Art. 175/A
Pianetta in nylon con foro centrale completa di ruote girevoli in nylon Ø 100 con supporto zincato da mm.:
Nylon shelf with hole in the middle, complete with swivel castors of nylon Ø 100 with galvanized support, size in mm.
600 x 400



Art. 141
Vassoio inox 18/8 per macellerie da mm.:
18/8 stainless steel rectangular tray for butcher's shops, sizes in mm.
260 x 230 x 20 320 x 230 x 20 350 x 240 x 20
410 x 310 x 20 500 x 350 x 20 610 x 410 x 30*
* per Art. 145



Art. 155
Vassoio rettangolare inox 18/8 da mm.
18/8 stainless steel rectangular tray, sizes in mm.
260 x 230 x 15 320 x 230 x 15 350 x 240 x 15
410 x 310 x 15 500 x 350 x 15 610 x 410 x 15*
* per Art. 145



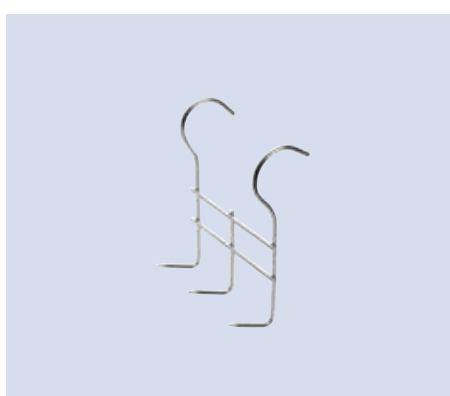
Art. 147
Vassoio inox 18/8 multiuso da mm.
Multi-purpose 18/8 stainless steel tray, size in mm.
190 x 120 x 15 290 x 210 x 15 580 x 210 x 15
680 x 210 x 15 360 x 250 x 15 290 x 300 x 15
400 x 300 x 15 680 x 300 x 15 800 x 300 x 15
580 x 400 x 15



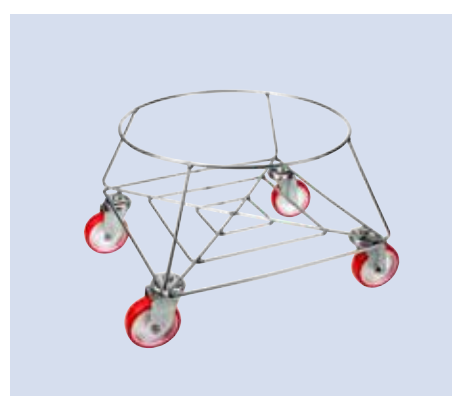
Art. 132
Gancio inox 18/8 appendi pancetta riversato a 4 prese, da mm.
*18/8 stainless steel reverse bacon hanger with 4 hooks
size in mm.*
160 x 4



Art. 132/A
Gancio inox 18/8 appendi pancetta a 4 prese, manico gigante, da mm.
18/8 stainless steel bacon hanger with 4 hooks, giant handle, size in mm.
160 x 4



Art. 132/B
Gancio inox 18/8 appendi pancetta riversato a 3 prese con 2 ganci, da mm.
18/8 stainless steel reverse bacon hanger with 3 hooks with 2 handles, size in mm.
120 x 4



Art. 176
Portabidone in filo inox 18/8 completo di ruote girevoli in nylon Ø 100 con supporto inox 18/8 da mm.:
18/8 stainless steel binframewire, complete with swivel castors of nylon Ø 100 with 18/8 stainless steel support, size in mm.
450 x 450 x h340 Ø cerchio/round 420
450 x 450 x h340 Ø cerchio/round 530



Art. 72
Morsa inox 18/8 per prosciutto con base in legno di faggio (mm. 450 x 270 x H30), ingombro totale mm.:
18/8 stainless steel vice for ham with beech wood base (mm. 450 x 270 x H30), overall dimensions in mm.
590 x 270 x H155



Art. 183
Tagliere salmone in polietilene color bianco, con inserti testa coda cromati, ingombro totale:
White polyethylene cutter board salmon with chrome trim tail head, overall dimensions mm.
900 x 200



Art. 146
Tramoggia inox 18/8 per tritacarne, con attacco esterno saldato con puntatrice da mm.:
18/8 stainless steel container for meat mincer with outer spot-welded fitting, sizes in mm.
260 x 230 x 55
260 x 230 x 70
320 x 230 x 55
320 x 230 x 70
350 x 240 x 55
350 x 240 x 70
410 x 310 x 55
410 x 310 x 70
500 x 350 x 55
500 x 350 x 70
610 x 410 x 55
610 x 410 x 70



Art. 146/A
Tramoggia inox 18/8 per tritacarne, completa di salvamano con attacco esterno saldato con puntatrice da mm.:
18/8 stainless steel container for meat mincer with hand guard with outer spot-welded fitting, sizes in mm.
260 x 230 x 55
260 x 230 x 70
320 x 230 x 55
320 x 230 x 70
350 x 240 x 55
350 x 240 x 70
410 x 310 x 55
410 x 310 x 70
500 x 350 x 55
500 x 350 x 70
610 x 410 x 55
610 x 410 x 70



Per vassoi mm.:
For trays mm:
Art. 101 610 x 410 x 55
Art. 141 610 x 410 x 30

Art. 145/10
760 x 460 x h 1150
Art. 145/15
760 x 460 x h 1580
Carrello inox 18/8 portavassoi a 10/15 vani completo di 4 maniglie plastica, 2 ruote inox girevoli diam. 100 con freno, 2 ruote inox girevoli Ø 100 normali. Ingombro mm.:
Stainless steel trays trolley, with 10/15 compartments 4 plastic handle, 2 rotating steel wheels diam. 100 with brake, 2 rotating steel wheels Ø 100 normal. Dimensions:

Art. 101 610 x 410 x 70
Art. 155 610 x 410 x 15